

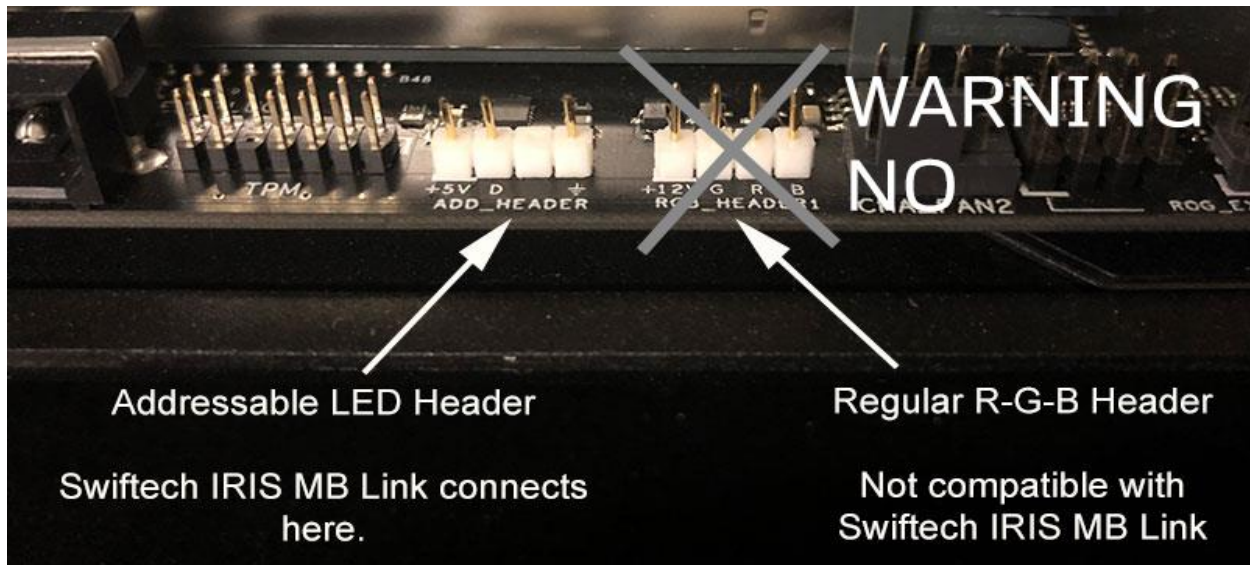
NEED HELP? Contact us: (833) 857-9438 / help@swiftech.com

SWIFTECH IRIS MB LINK

INSTRUCTIONS

Thank you for the purchase of the Swiftech IRIS MB Link Adapter.

1. **DO NOT CONNECT** the MB LINK Cable to a 4-PIN RGB header. Damage **WILL** result from doing so, and will instantly fry the LED's of any Device connected downstream of the MB LINK. **Frying LED's on devices connected to the MB LINK is NOT COVERED by Warranty**
2. Connect the MB Link Cable to the 3-pin header on a Compatible Addressable Enabled motherboard as shown on the picture below. If you are not sure if your motherboard is compatible, contact our support desk.



3. You can connect up to 3 IRIS compatible devices downstream of the MB LINK. Depending on the motherboard capabilities, 1, 2 or 3 devices may be able to be controlled. Some motherboards output a weak DATA signal which will only allow the control of 1 device.
4. If the IRIS device has a IN and OUT plug (some devices only have a IN plug) you can daisy chain devices as long as the total number of LED modules in the chain does not exceed 45 LED's. For reference here is the number of LED's used by Swiftech IRIS products:
 - a. Apogee SKF(/PRESTIGE /LT): 6
 - b. X2 AIO Series (Radiator): 8
 - c. Apogee XL2: 4
 - d. Komodo GPU blocks and LS80 strip: 4 or 6 (in/out: YES)
 - e. Maelstrom D5/D5V2: 8
 - f. Helix 120 IRIS fans: 15 (in/out: YES – Note: Daisy Chained IRIS fans are **Data Signal Split**)